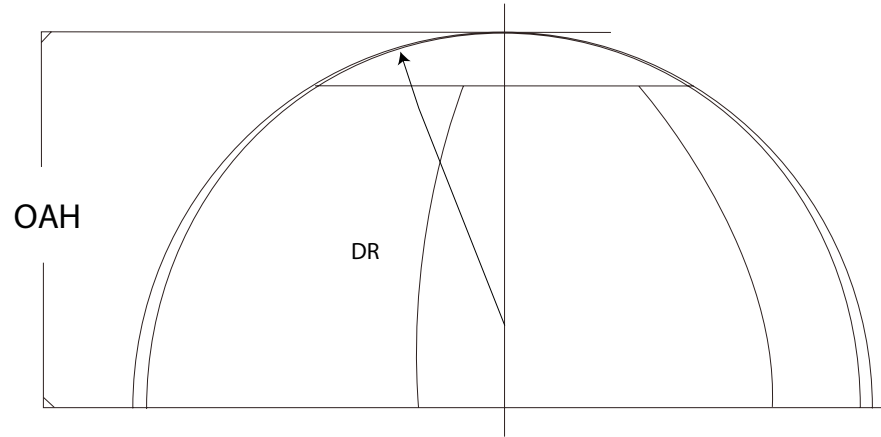


## Tapas Semiesféricas / Hemispherical Heads

- OAH - Altura total / Overall height
- DR - Radio de abombado / Radius of dish
- FW - Completamente soldada / Fully welded
- F&T - Formadas y terminadas / Formed & Tack weld



Diámetro pulgadas" /  
milímetros (mm)

Diameter inches" /  
millimeters (mm)

Espesor pulgadas" / milímetros (mm)  
Thickness inches" / millimeters (mm)

	30" 762mm	36" 914.4mm	42" 1066.8mm	44" 1117.6mm	48" 1219.2mm	50" 1270mm	54" 1371.6mm	60" 1524mm	66" 1676.4mm	72" 1828.8mm	80" 2032mm	84" 2133.6mm	96" 2438.4mm	110" 2794mm	124" 3149.6mm	136" 3454.4mm	144" 3657.6mm	160" 4064mm	180" 4572mm	190" 4826mm	200" (5080)
1.000" (25.4)								FW	FW	FW	FW	FW	FW	FW	FW	FW	FW	F&T	F&T	F&T	
0.875" (22.2)								FW	FW	FW	FW	FW	FW	FW	FW	FW	FW	F&T	F&T	F&T	
0.750" (19)								FW	FW	FW	FW	FW	FW	FW	FW	FW	FW	F&T	F&T	F&T	F&T
0.625" (15.8)								FW	FW	FW	FW	FW	FW	FW	FW	FW	FW	F&T	F&T	F&T	F&T
0.500" (12.7)			F&T	F&T	F&T	F&T	F&T	FW	FW	FW	FW	FW	FW	FW	FW	FW	FW	F&T	F&T	F&T	F&T
0.375" (9.5)		F&T	F&T	F&T	F&T	F&T	F&T	FW	FW	FW	FW	FW	FW	FW	FW	FW	FW	F&T	F&T	F&T	F&T
0.313" (7.9)	F&T	F&T	F&T	F&T	F&T	F&T	F&T	FW	FW	FW	FW	FW	FW	FW	FW	FW	FW	F&T	F&T	F&T	F&T
0.250" (6.3)	F&T	F&T	F&T	F&T	F&T	F&T	F&T	FW	FW	FW	FW	FW	FW	FW	FW						